



JIKA

CUBE

H3111W10041101

H3111W80041201

H3111W10045101

H3411W10041101

H3211W60040001

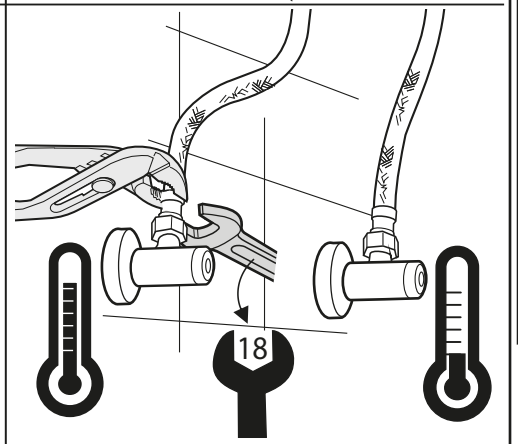
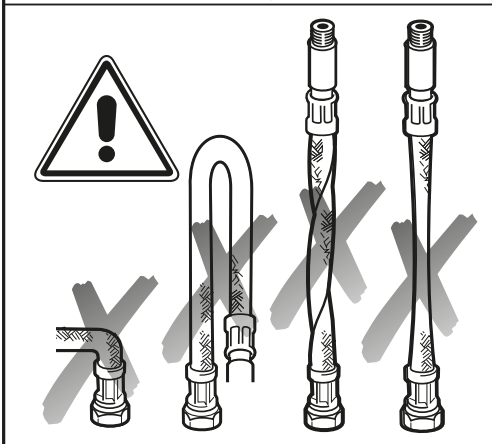
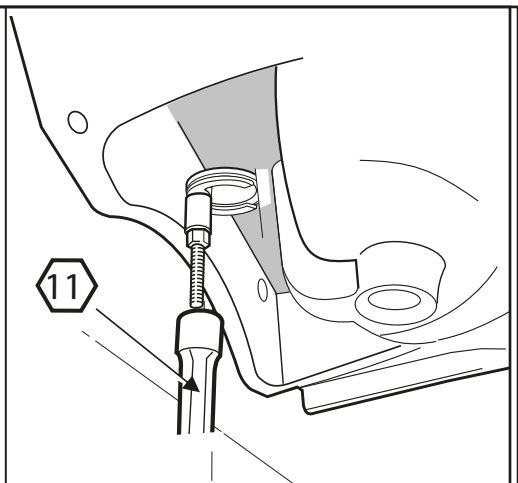
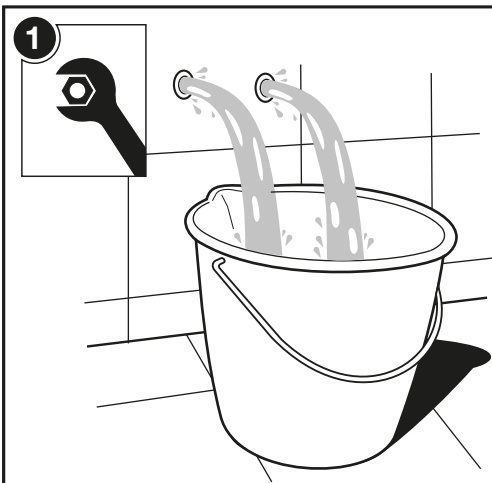

H3311W60040001

H3211W70044001

H3311W70044001


H3511W10042601



P



P
bar



0,5




1





T

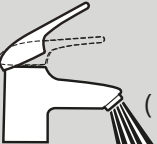
°C



80 MAX.





65
45




Q
(3 bar)

l/min

5

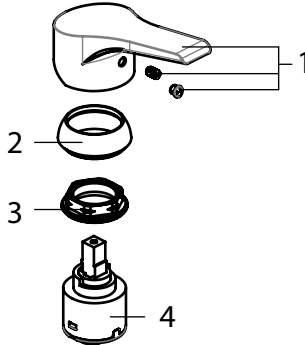
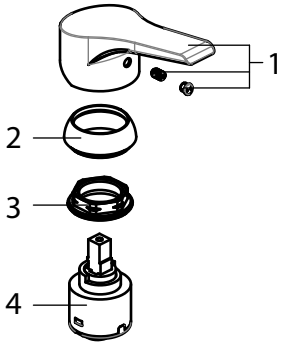
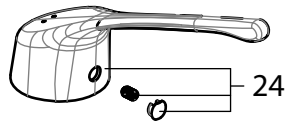


20

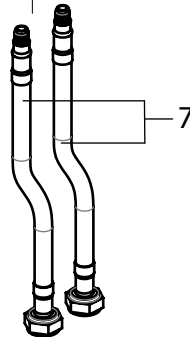
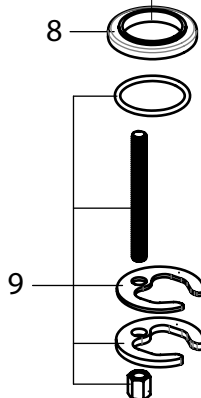
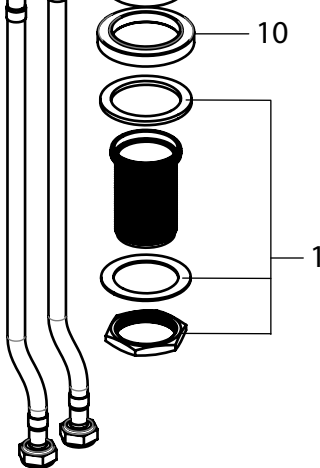
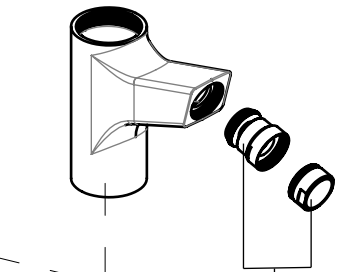
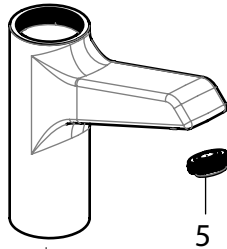
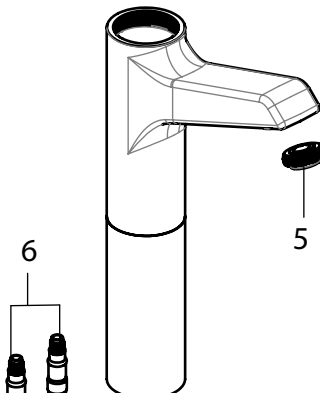
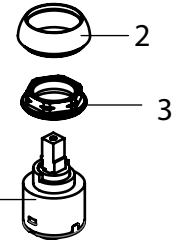
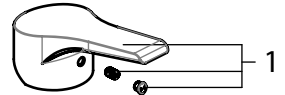


H3111W10041101
H3111W10045101

H3111W80041201



H3411W10041101

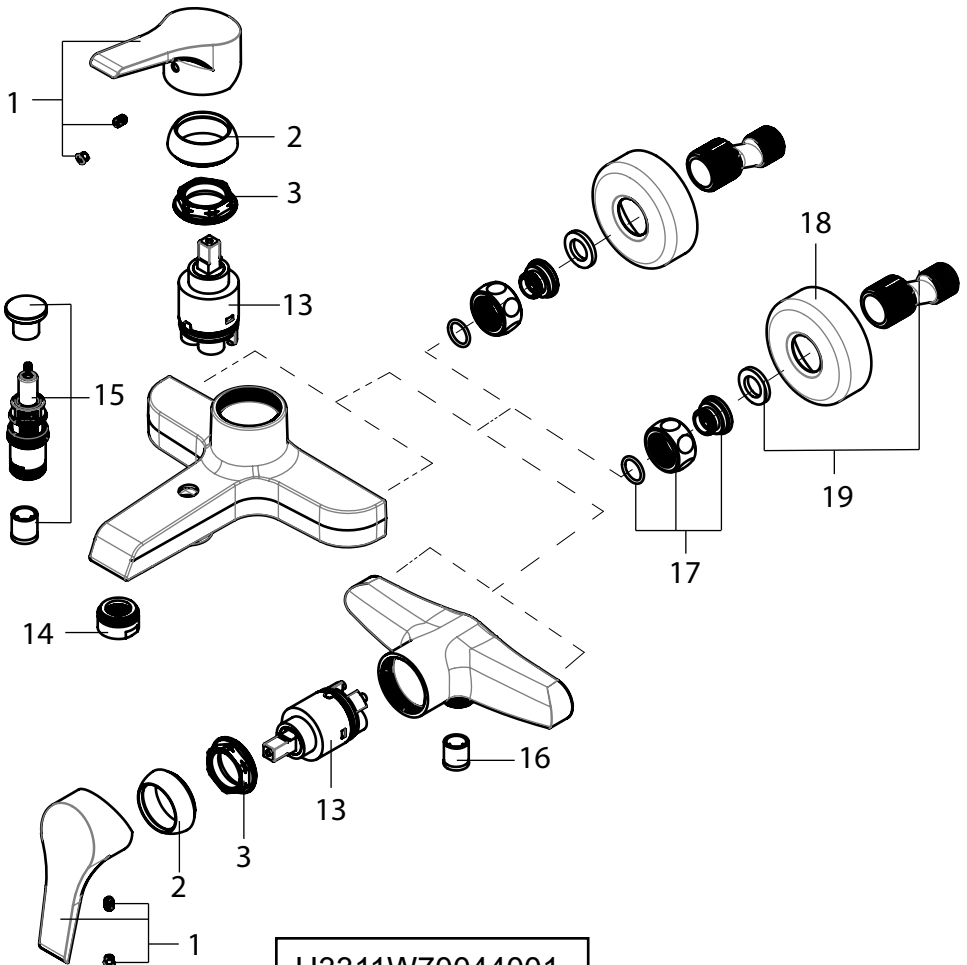


12

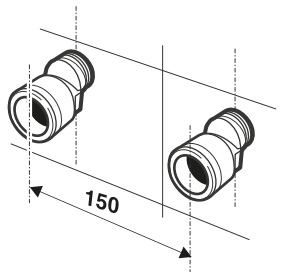
3



H3211W70044001



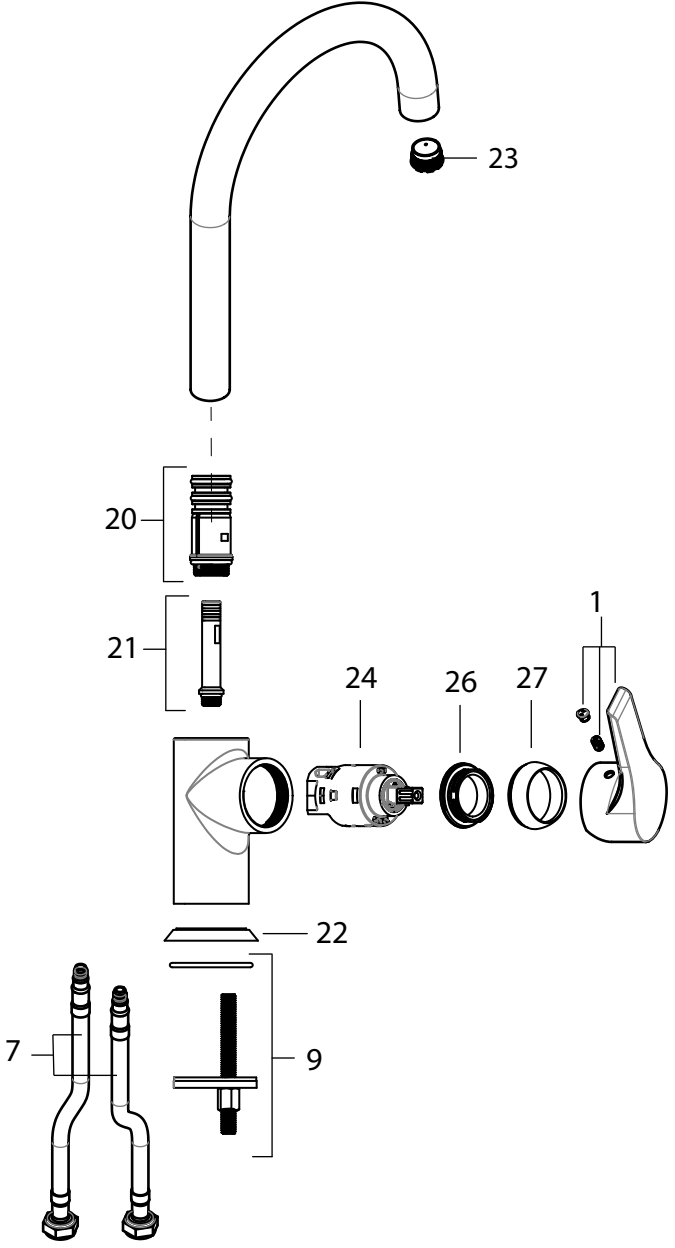
H3311W70044001



5



H3511W10042601



6



1-

2-

3-

4-

5-

6-

7-

8-

9-

10-

11-

12-

13-

14-

15-

16-

17-

18-

19-

20-

21-

22-

23-

24-

25-

26-

27-

